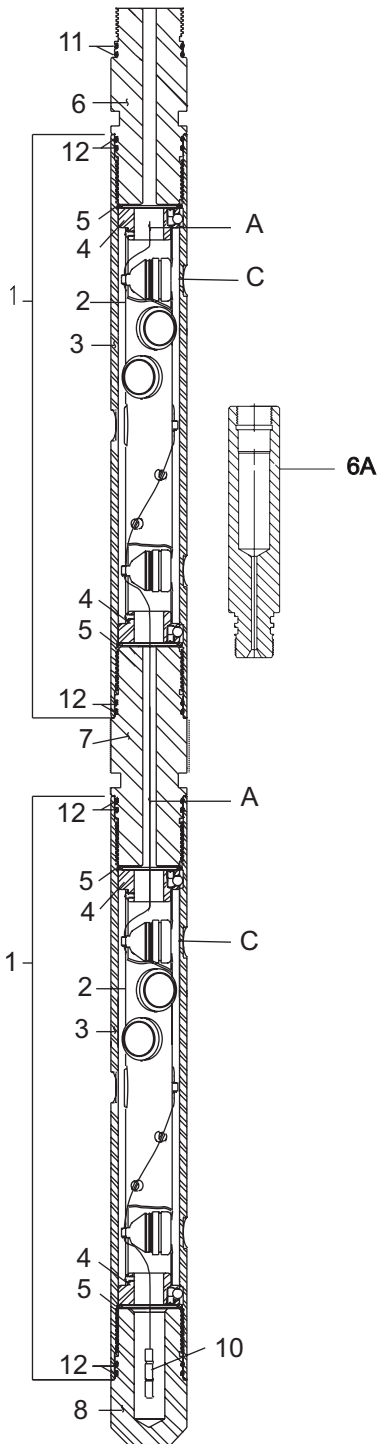


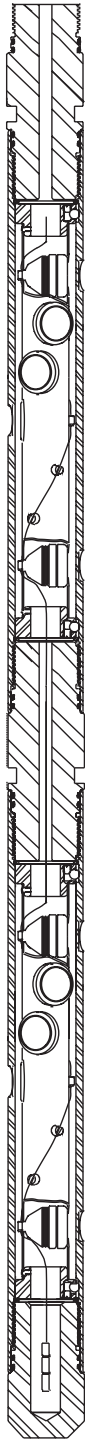
Scalloped Gun System, 2-3/4" O.D. 4 spf, 60° Spiral, SDP



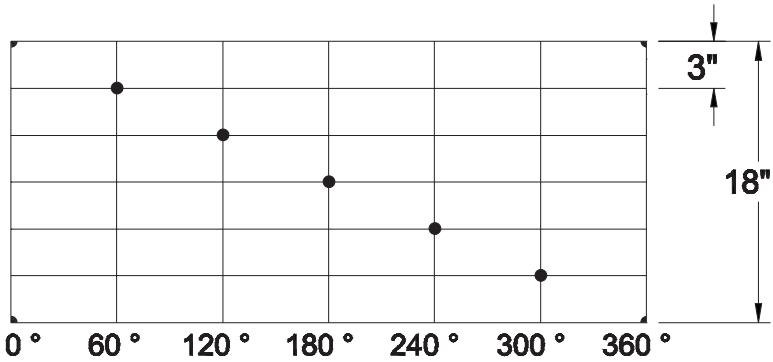
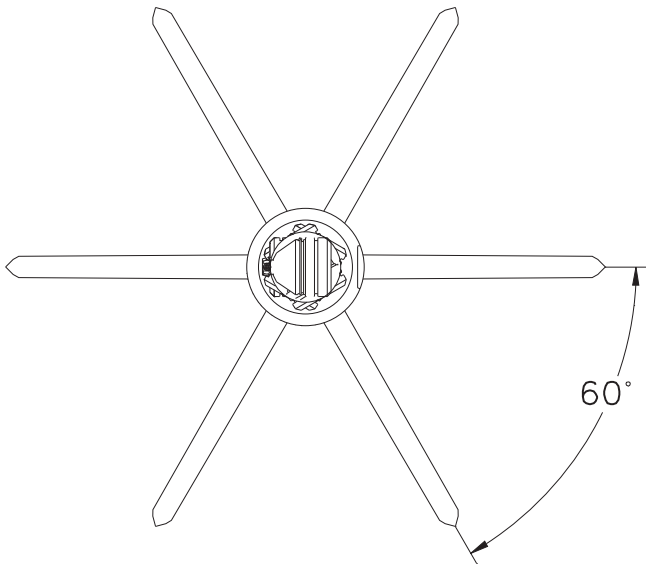
ITEM	PART NO.	DESCRIPTION
1	S27-0445-A21A	Shipping Assembly, 2-3/4" x 21', 4 spf, 60° Spiral
	S27-0445-A15A	Shipping Assembly, 2-3/4" x 15', 4 spf, 60° Spiral
	S27-0445-A11A	Shipping Assembly, 2-3/4" x 11', 4 spf, 60° Spiral
	S27-0445-A07A	Shipping Assembly, 2-3/4" x 7', 4 spf, 60° Spiral
	S27-0445-A04A	Shipping Assembly, 2-3/4" x 4', 4 spf, 60° Spiral
2	T17-0445-A21	Tube Strip, 21', 4 spf, 60° Spiral
	T17-0445-A15	Tube Strip, 15', 4 spf, 60° Spiral
	T17-0445-A11	Tube Strip, 11', 4 spf, 60° Spiral
	T17-0445-A07	Tube Strip, 7', 4 spf, 60° Spiral
	T17-0445-A04	Tube Strip, 4', 4 spf, 60° Spiral
3	C27-0475-A21	Carrier 2-3/4" x 21', 4 spf, 60° Spiral
	C27-0475-A15	Carrier 2-3/4" x 15', 4 spf, 60° Spiral
	C27-0475-A11	Carrier 2-3/4" x 11', 4 spf, 60° Spiral
	C27-0475-A07	Carrier 2-3/4" x 7', 4 spf, 60° Spiral
	C27-0475-A04	Carrier 2-3/4" x 4', 4 spf, 60° Spiral
4	TAG-2750-160U	End Plate Universal (1)
	TAG-2750-160UP	End Plate Universal w/pin (1)
5	TAG-2750-075	Carrier Snap Ring (N-5000-212) (2)
6	TAG-2750-280	Top Sub 2-3/4"
6A	TAG-2750-279	Top Sub 2-3/4" Wireline Systems
7	TAG-2750-281	Tandem Sub 2-3/4"
8	TAG-2750-078	Bull Plug 2-3/4"
	TAG-2750-078S	Bull Plug 2-3/4" w/2-3/8" EUE pin on bottom
-	TCP-0100-275 TAG-0100-040	Booster Transfer Kit - Universal Insert (Included w/Transfer Kit) see page con-1.0
10	DET-0010-001	Detonating Cord End Cover
11	000-N569-225	O-Ring, #225, 90 Duro Nitrile - see ref. section
11A	OB-225-2160-4PE	O-Ring Backup, PEEK
12	000-N569-227	O-Ring, #227, 90 Duro Nitrile - see ref. section
12A	OB-227-2410-4PE	O-Ring Backup, PEEK
A	A570010	Detonating Cord - XHV, 80 gr., RDX - see ref. section
	A572010	Detonating Cord - XHV, 80 gr., HMX - see ref. section
B	DET-3050-429	Bi-Directional Booster, HMX - see ref. section
C	SDP-2715-310	Charge, RDX, SDP-HERO HARD ROCK
	SDP-2715-410	Charge, HMX, SDP-HERO HARD ROCK
	SDP-2750-311NT4	Charge, RDX, SDP - NT4 - HERO™
	SDP-2750-411NT4	Charge, HMX, SDP - NT4 - HERO™
	TAG-2750-401BH	Charge, HMX, BH
	TAG-2750-311	Charge, RDX, GH/DP
	TAG-2750-411	Charge, HMX, GH/DP
D	--	Detonator - (See Det. Reference Section)

Note: 6 spf System qualified in Fluid Only

**Scalloped Gun System,
2-3/4" O.D. 4 spf, 60° Spiral, SDP**



SPECIFICATIONS		
PRESSURE RATING	172.4 MPa	25,000 psi
TEMPERATURE	UP To 260°C	UP TO 500°F
TENSILE STRENGTH	93,400 daN	210,000lbs
CARRIER THREAD	2-3/8" - 6 STUB ACME	
GUN WEIGHT LOADED	12.8 KG/M	8.45 LB/FT
TORSIONAL YIELD	3 800 N•m	2,800 lb-ft



Note: Guns are available in standard lengths from 2 through 21 ft.
 Gun lengths in increments of 0.5 ft are available by special order only.
 Charges and ancillary components for higher temperature applications are available by Special Order.